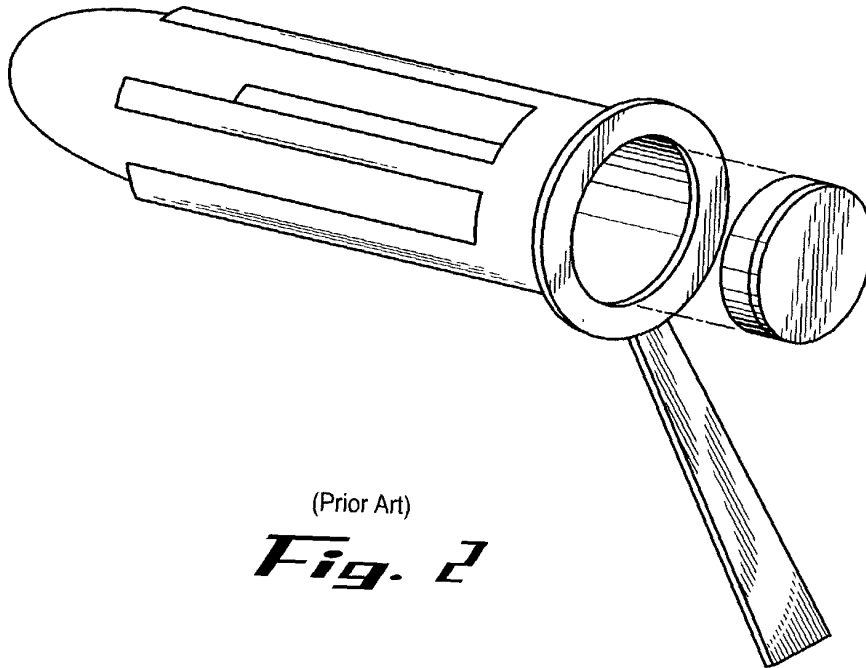


(Prior Art)

Fig. 1



(Prior Art)

Fig. 2

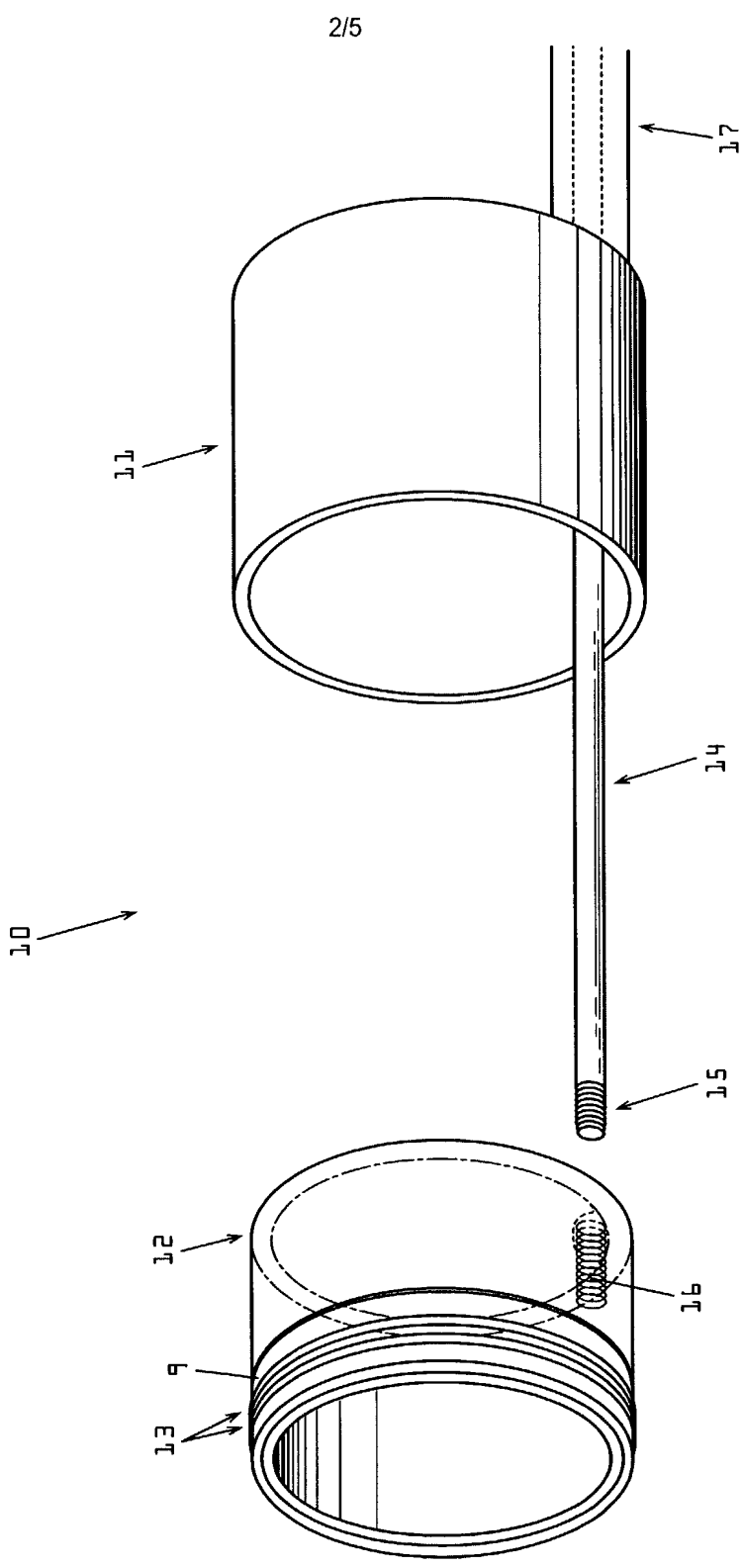


Fig. 3

3/5

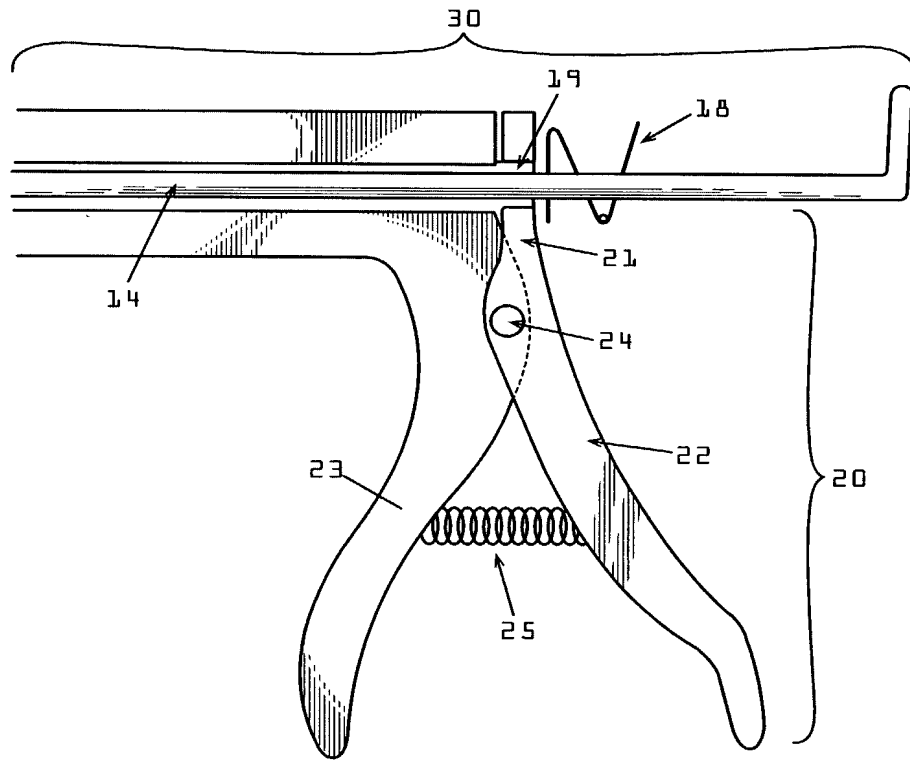


Fig. 4

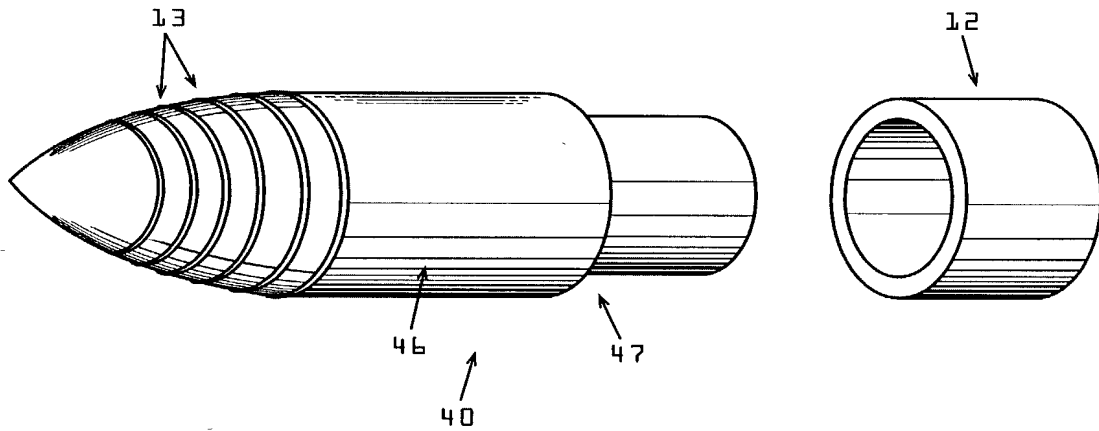


Fig. 5

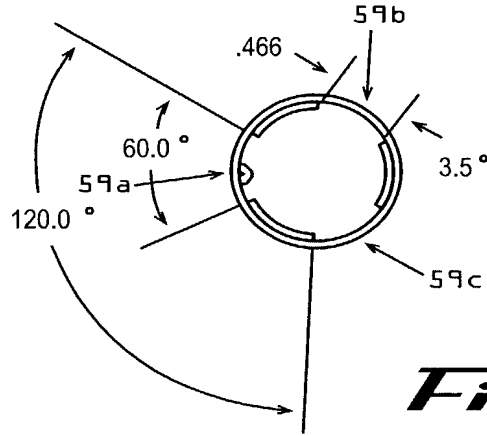


Fig. 5A

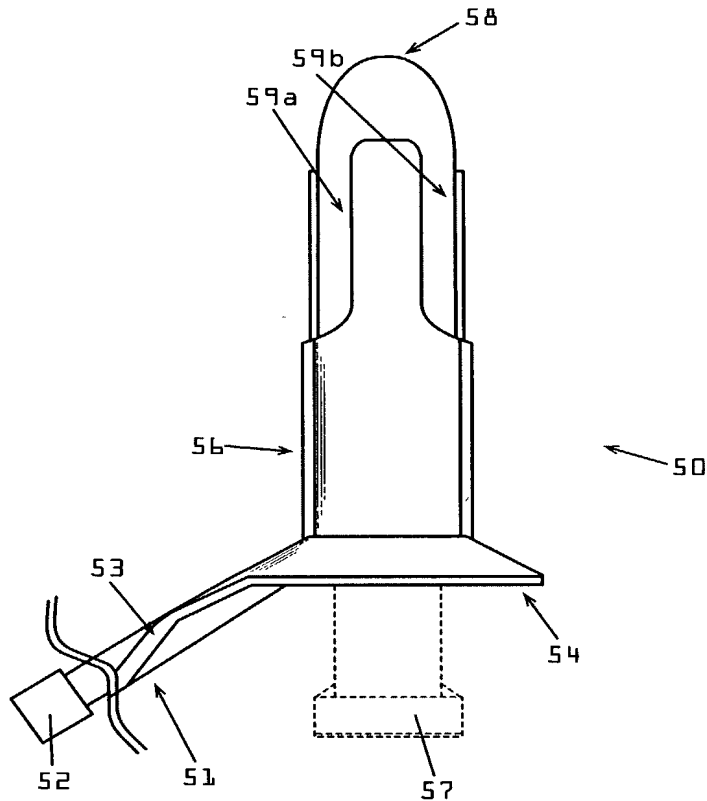


Fig. 5B

10/042,998

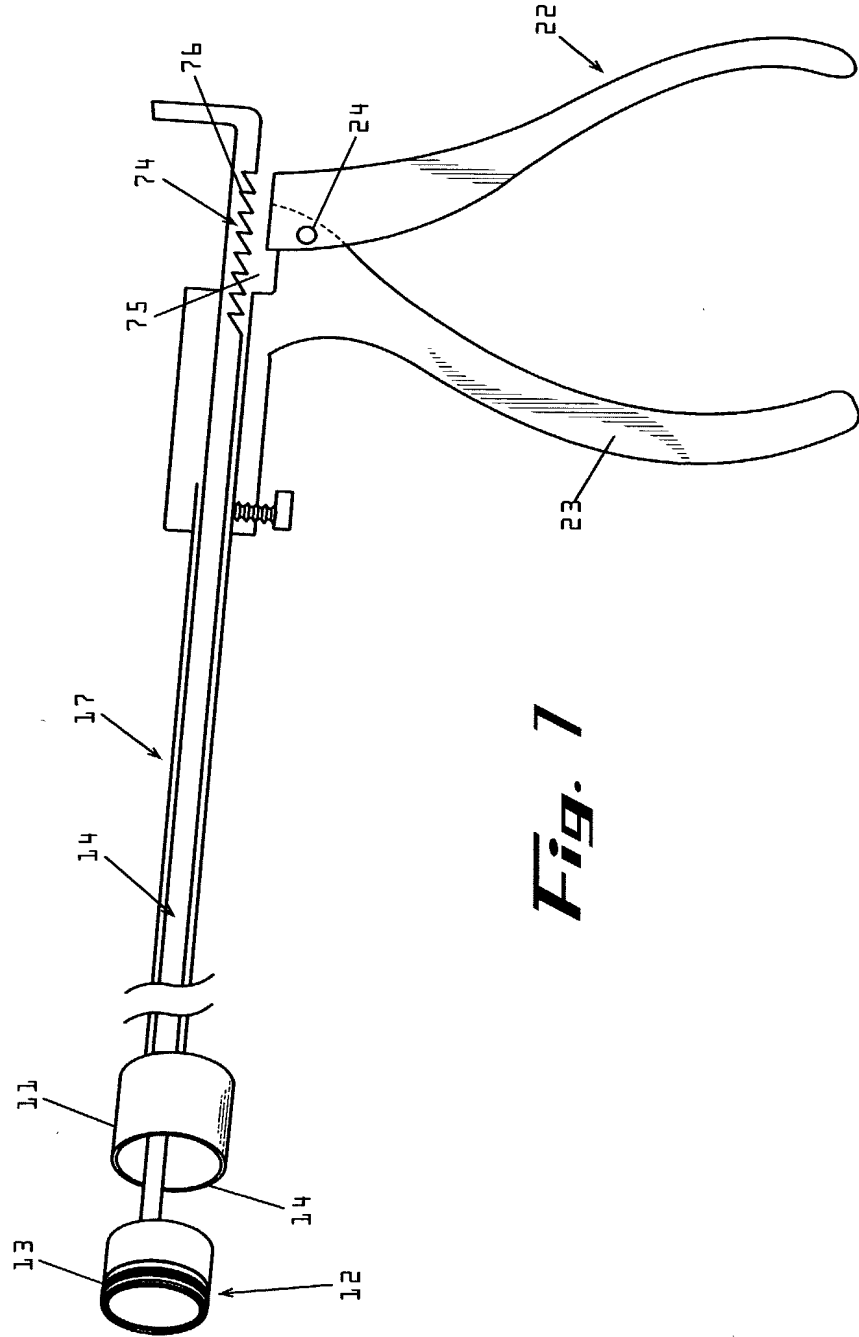


Fig. 7